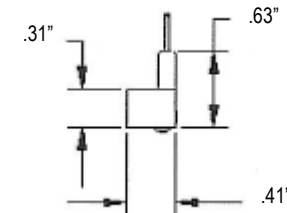
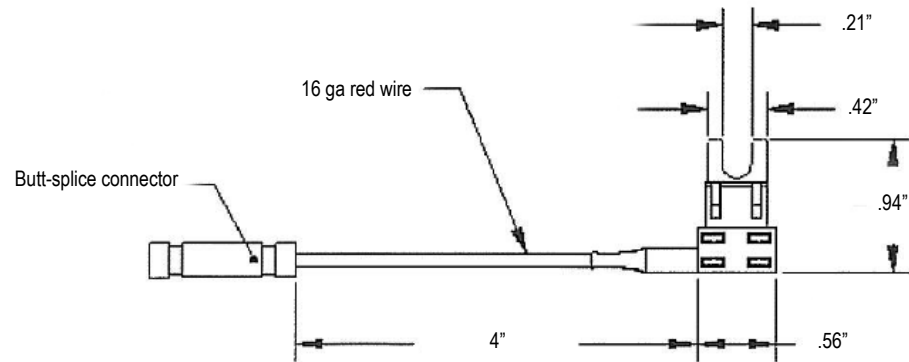


Mini Fuse Circuit Tap

Waytek Stock No.	Fuse Accepted
46044	Mini

Features:

- Body Material: PVC
- Fuse Type (not supplied): Mini (Stock No. 46250-46259)
- Voltage: 32 volts
- Maximum Current Rating: 30 amps



Notes:

- Operation beyond the specified maximum ratings or improper use may result in damage and possible electrical arcing and/or flame.
- Device are intended for occasional overcurrent protection. Application for repeated over current condition and/or prolonged trip are not anticipated.
- Avoid contact of device with chemical solvent. Prolonged contact will damage the device performance.